

# OPALIA<sup>®</sup>

## INSTALLATION INSTRUCTIONS

---

**IMPORTANT INFORMATION** FOR THE INSTALLER AND THE OWNER

 BainUltra<sup>®</sup>

TO BE KEPT BY THE OWNER

# TITRE

IMPORTANT SAFETY INSTRUCTIONS .....	1
PARTS & TOOLS .....	3
SITE PREPARATION .....	6
INSTALLATION	
• REMOTE MOUNTING OF TURBINE WITH ACCESS UNDER BATH .....	7
• ELECTRICAL DIAGRAMS .....	16
• REMOTE MOUNTING OF TURBINE WITHOUT ACCESS UNDER BATH.....	17
CUTTING TEMPLATES: ELECTRONIC CONTROLS .....	23

**IMPORTANT SAFETY INSTRUCTIONS**  
PERTAINING TO RISKS OF FIRE, ELECTROCUTION OR PERSONAL INJURY

**READ AND FOLLOW ALL INSTRUCTIONS • SAVE THESE INSTRUCTIONS**

THIS DOCUMENT SUPERCEDES THE INSTALLATION INSTRUCTION IN THE OWNER'S MANUAL.

 **WARNING**

- Risk of hyperthermia; people using medication and/or having an adverse medical history should consult a physician before using a Hydro-thermo massage® bathtub equipped with a heater.
- Risk of hyperthermia and possible drowning: do not use a Hydro-thermo massage® bathtub equipped with heater immediately following strenuous exercise.
- Risk of fetal injury; pregnant or possibly pregnant women should consult a physician before using a Hydro-thermo massage® bathtub equipped with a heater.
- Risk of accidental injury or drowning; do not use drugs or alcohol before or during the use of a Hydro-thermo massage® bathtub equipped with a heater.
- Use this unit only for its intended purposes or as described in this manual. Use only accessories or devices recommended by the manufacturer.
- Risk of hyperthermia and possible drowning. Check and adjust water temperature before use. Water temperature exceeding 100°F (38°C) may be injurious to your health.
- To reduce the risk of injury, as with any other conventional bath, do not allow children or physically impaired people to use this unit unless they are closely supervised at all times.
- To avoid injury, exercise care when entering or exiting the Thermomasseur®.
- The Geysair should always be connected to the hot water intake. If it is not the case, then, the Geysair should be deactivated via the bath control.

**RISK OF ELECTRICAL SHOCK**

- Disconnect electric power before servicing.
- Do not permit electrical appliances (hair dryer, lamp, telephone, radio, television, etc.) within 5' (1,5 m) of the Thermomasseur®.
- Before using the Thermomasseur®, its installation should be completely finished so that a bather cannot accidentally come in contact with electrical components (turbine and power module).
- For indoor use only.


**IMPORTANT SAFETY INSTRUCTIONS**

PERTAINING TO RISKS OF FIRE, ELECTROCUTION OR PERSONAL INJURY

**READ AND FOLLOW ALL INSTRUCTIONS • SAVE THESE INSTRUCTIONS**

THIS DOCUMENT SUPERCEDES THE INSTALLATION INSTRUCTION IN THE OWNER'S MANUAL.

**ELECTRICAL CONNECTIONS:**

- Never drop or insert objects into any openings.
- The Thermomasseur® must be connected only to a supply circuit that is protected by a 20 amp class A ground fault circuit interrupter (GFCI). Optional therapies such as Chromotherapy and/or 2<sup>nd</sup> heated backrest and/or WarmTouchShell® must be connected to a supply circuit that is protected by a 15 amp class A ground fault circuit interrupter (GFCI). This interrupter is supplied by a certified electrician and must be tested on a regular basis in accordance with manufacturer's instructions. The GFCI ground must be connected. If defective, do not use the Thermomasseur®. Disconnect immediately and call a certified electrician.
- Use 12 AWG (or greater) copper conductors that resist temperatures of at least 194°F (90°C).
- Canada only: for permanently connected units. A green-colored terminal (or a wire connector marked g., gr., ground or grounding) is provided within the terminal compartment (not applicable if unit supplied with an electric plug). To reduce the risk of electrocution, connect this terminal or connector to the grounding terminal of your electric service or supply panel with conductor equivalent in size to the circuit conductors supplying the equipment and be 12 AWG or more.
- All electrical connections must be carried out by a certified electrician and must respect federal, provincial/state, and local building codes and regulations.
- Install in accordance with manufacturer's installation instructions.
- For Geysair-equipped baths using remote turbine installation (not mounted on the bath), grounding continuity must be tested between the bath grounding terminal  and the bath power supply. Failure to perform the grounding continuity test could result in serious personal injury.

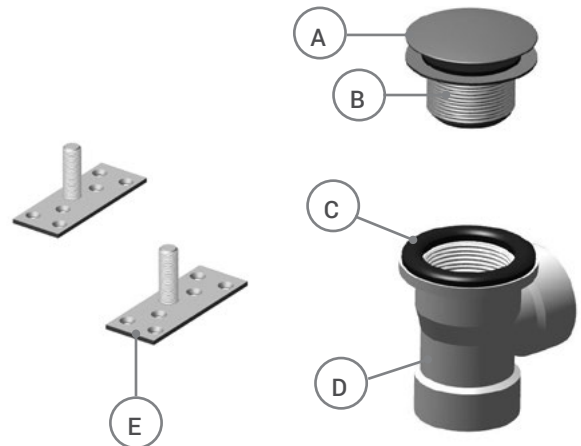
**WATER LEAK TEST**

- Once plumbing is fully installed and before beginning any other work, fill the ThermoMasseur® with water to overflow level and wait 30 minutes. Check all plumbing hook-ups and bath for leaks. BainUltra® is not responsible for any water damage caused by improper installation (see Warranty section).

## PARTS & TOOLS REQUIRED

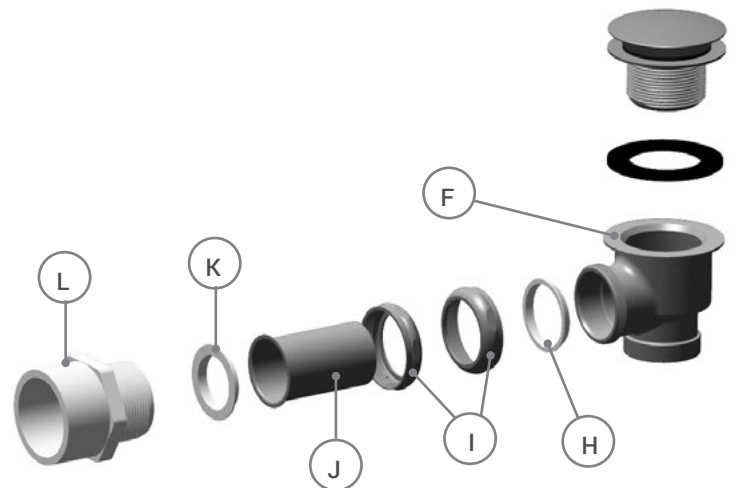
### STANDARD PARTS - PLUMBING

	DESCRIPTION	QTY
A	Plated drain clicker	1
B	Strainer	1
C	Rubber seal	1
D	Tee PVC Drain shoe	1
E	Anchor set*	1



### OPTIONAL PARTS - PLUMBING

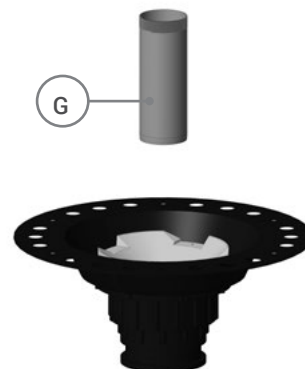
	DESCRIPTION	QTY
F	Brass drain shoe	1
G	4 in. brass tailpiece	1
H	Nylon conic shaped seal for drain	1
I	Brass nut	2
J	Brass pipe 1-1/2" x 3" with flange	1
K	Nylon flat seal with flange	1
L	1-1/2" male threaded adaptor	1



### OPTIONAL PART – PLUMBING\*

#### ENSEMBLE ISLAND TUB DRAIN® (ITD)

- Makes installation and servicing easier for removal of bath.
- Allows you to connect the bath drain tailpiece to the plumbing pipe without need for tightening to seal once the bath is lowered to the floor.
- SET INCLUDES A CONIC SHAPED SEAL AND A 6 IN. (15 CM) BRASS TAILPIECE.

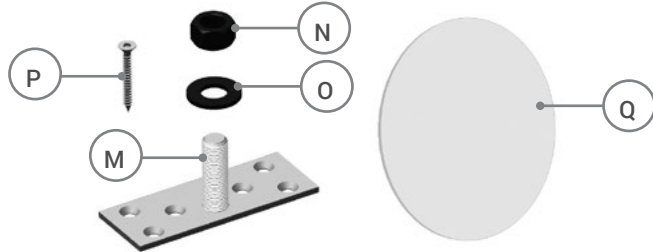


\*: REQUIRED WHEN NO ACCESS IS POSSIBLE UNDER the BATH.

# PARTS & TOOLS REQUIRED

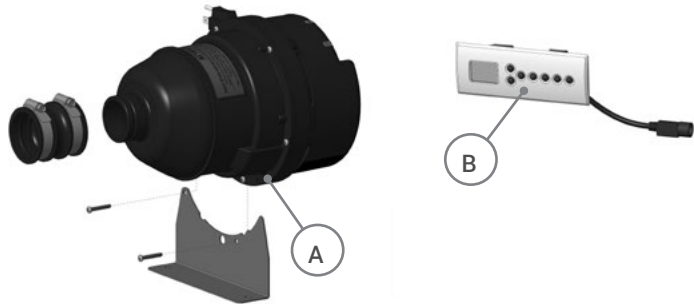
## STANDARDS PARTS – FLOOR ANCHOR

	DESCRIPTION	QTY
M	Threaded anchor	2
N	1/2" Nut – 13 zinc	2
O	1/2" Flat washer	2
P	#10 X 1-1/2" Countersunk head screw	12
Q	Cover seals	2



## STANDARDS PARTS – THERMOMASSEUR®

	DESCRIPTION	QTY
A	Turbine	1
B	MiaPlus® Control	1
C	15' extension cord	1



# PARTS & TOOLS REQUIRED

## PARTS & TOOLS REQUIRED

Installation template

48-inch level

Measuring tape

Teflon tape

Caulking gun

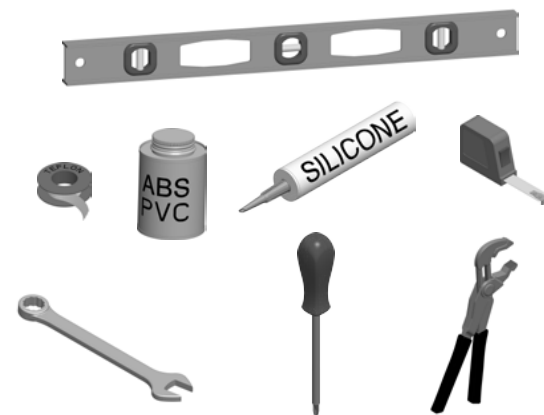
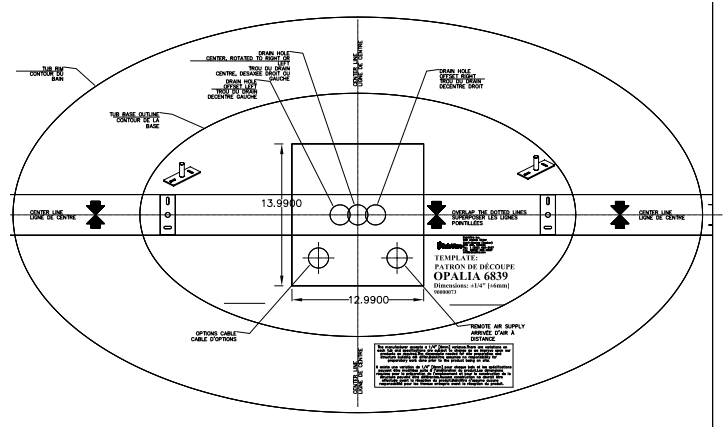
Silicone

ABS & PVC Glue

Square/Phillips #2 Screwdriver

3/4" Ratchet

Adjustable clamps



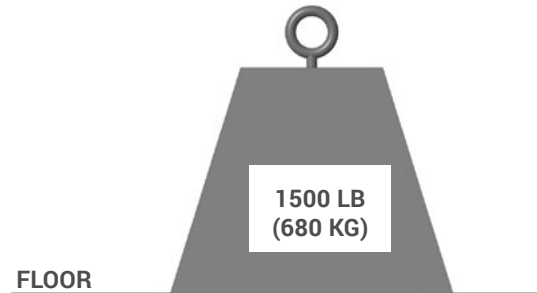
## SITE PREPARATION

### PLUMBING

- See faucet manufacturer's specifications for zoning and plan water supply location accordingly.
- Position drain according to bath's technical specifications.

#### WARNING

- Baths from Opalia® collection cannot be drilled for faucet installation. Faucets must be freestanding or wall-mounted models.



### BEDDING

- Before installing, ensure that the floor underneath the bath can support 1500 lb (680 kg). The bath may sit directly on the floor. No special bedding installation is recommended by manufacturer, the bathtub can sit directly on the floor. However, the bath can also sit on a concrete bedding. In that case, it is recommended to isolate the concrete between two plastic sheets: one installed on the floor and the other under the bath.

### SERVICE ACCESS AND VENTILATION

- A service access is necessary. Minimum dimensions are 22 in. x 18 in. (55 cm x 46 cm) to properly reach all electrical components of the system.
- An air vent is necessary. Minimum dimensions are: 2 in. x 4 in. (5 cm x 10 cm) to ensure proper functioning of the turbine.

There is a technical specification sheet for each BainUltra® ThermoMasseur® which includes information such as necessary dimensions of site before installation.

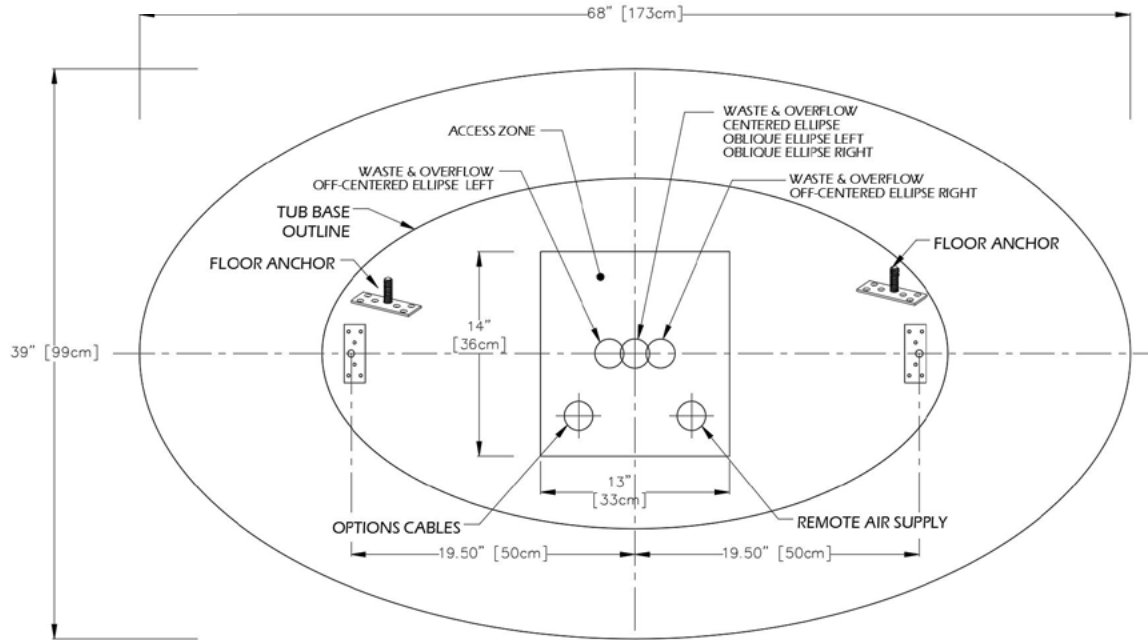
If you do not already have the technical specifications, download it from the BainUltra® Web site at: [bainultra.com](http://bainultra.com) or call us at: 1 800 463-2187.



# REMOTE MOUNTING OF TURBINE WITH ACCESS UNDER BATH

## PLUMBING – FLOOR LAYOUT FOR PIPES AND ACCESS

OPALIA 6839



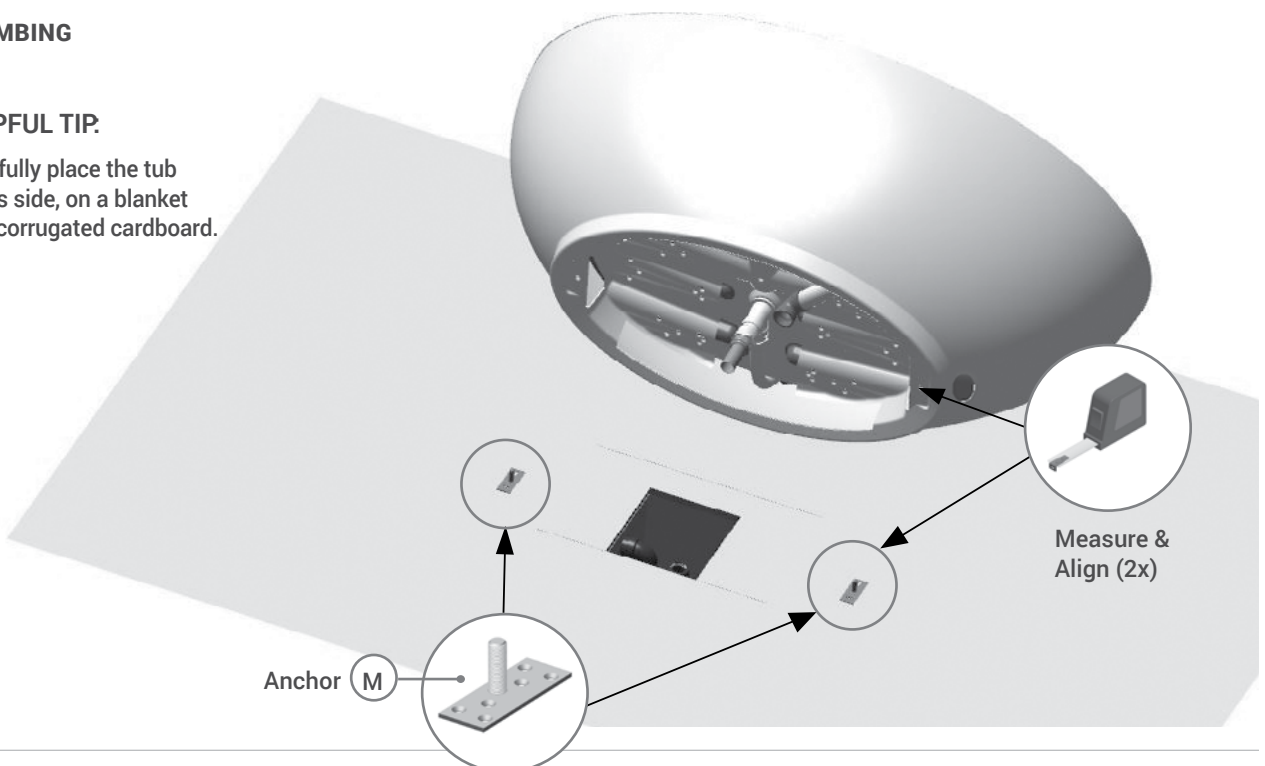
NOTE: Please refer to the Installation Template provided with your OPALIA bath. However, if it is missing, please contact us at 1-800-463-2187 to order it.

### 1 PLUMBING



#### HELPFUL TIP:

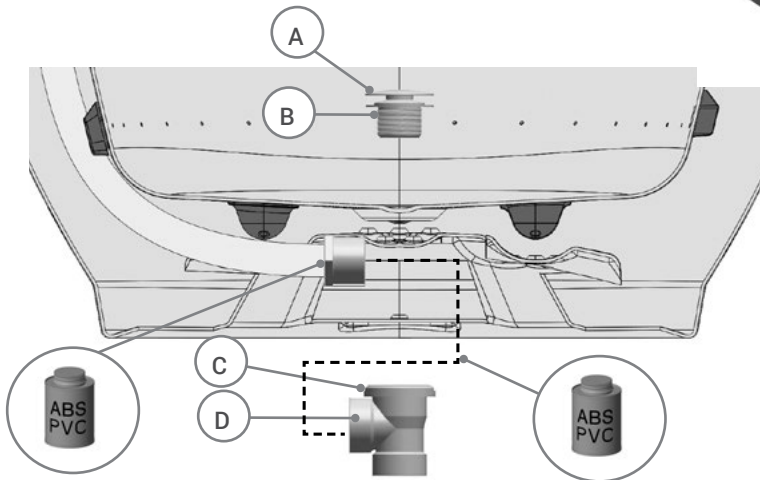
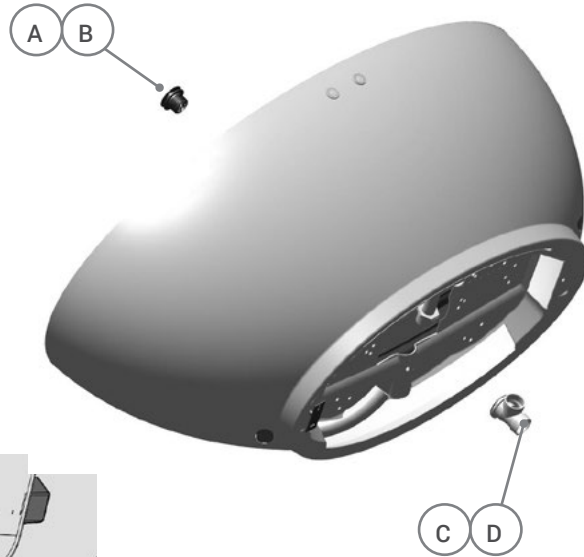
- Carefully place the tub on its side, on a blanket or a corrugated cardboard.



# REMOTE MOUNTING OF TURBINE WITH ACCESS UNDER BATH

## STANDARD PARTS - PLUMBING

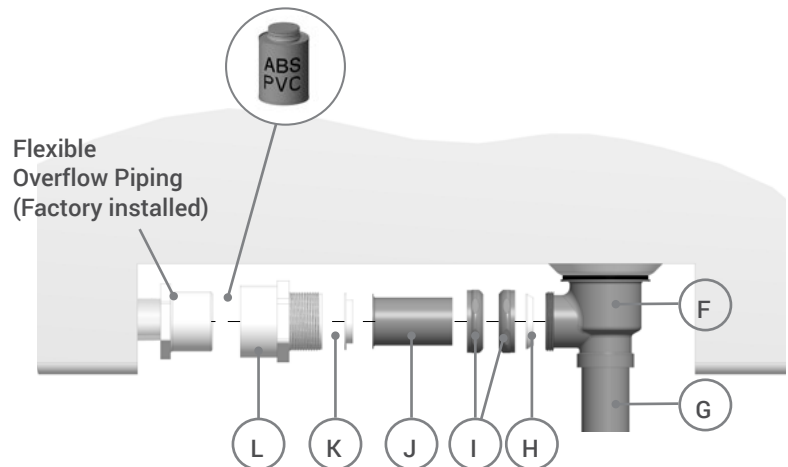
	DESCRIPTION	QTY
A	Plated drain clicker	1
B	Strainer	1
C	Rubber seal	1
D	Tee PVC Drain shoe	1



NOTE: If necessary, cut the overflow pipe to the desired length, and glue it to the PVC connector and to the drain.

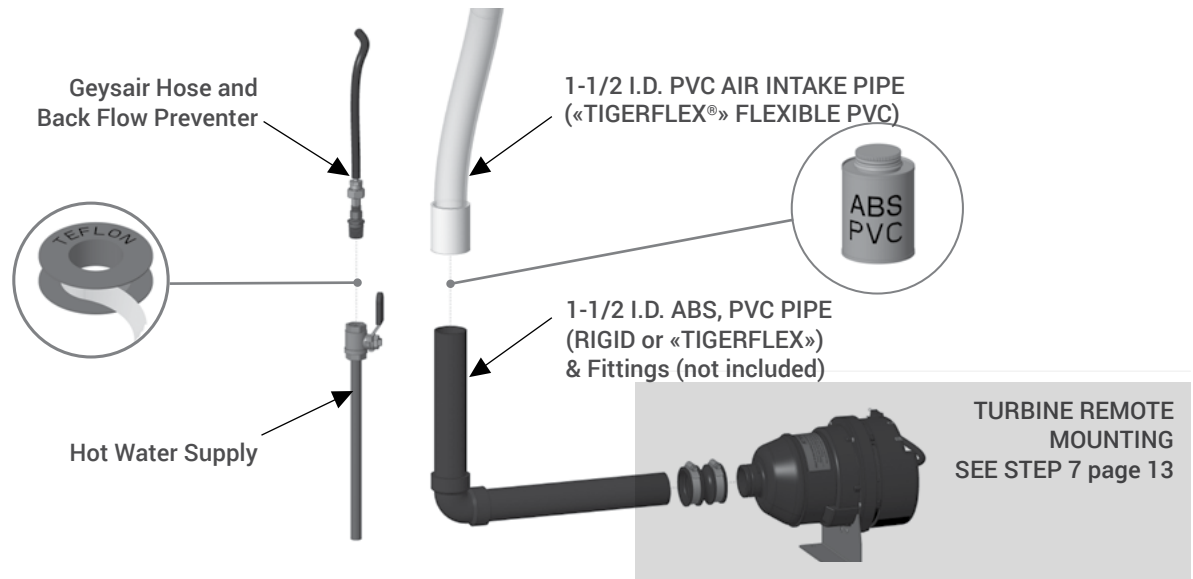
## OPTIONAL PARTS - PLUMBING

	DESCRIPTION	QTY
F	Tee Brass drain shoe	1
G	4 in. brass tailpiece	1
H	Nylon conic shaped seal for drain	1
I	Brass nut	1
J	Brass pipe 1-1/2" x 3" with flange	1
K	Nylon flat seal with flange	1
L	1-1/2" male threaded adaptor	1



## REMOTE MOUNTING OF TURBINE WITH ACCESS UNDER BATH

### 2 TURBINE & GEYSAIR INSTALLATION (FOR THERMOMASSEUR®)



#### ⚠ WARNING

- Access to Geysair® backflow preventer is necessary for cleaning of the filter.
- Baths from Opalia® collection cannot be drilled for faucet installation. Faucets must be freestanding or wall-mounted models.
- Geysair component cannot be remote mounted. It must stay at original position, attached to bath. Must never be unplugged.

### 3 ELECTRICAL WIRING OF OPTIONAL COMPONENTS

REMOTE MOUNTING  
of CONTROL MODULES  
SEE STEP 8 page 14

# REMOTE MOUNTING OF TURBINE WITH ACCESS UNDER BATH

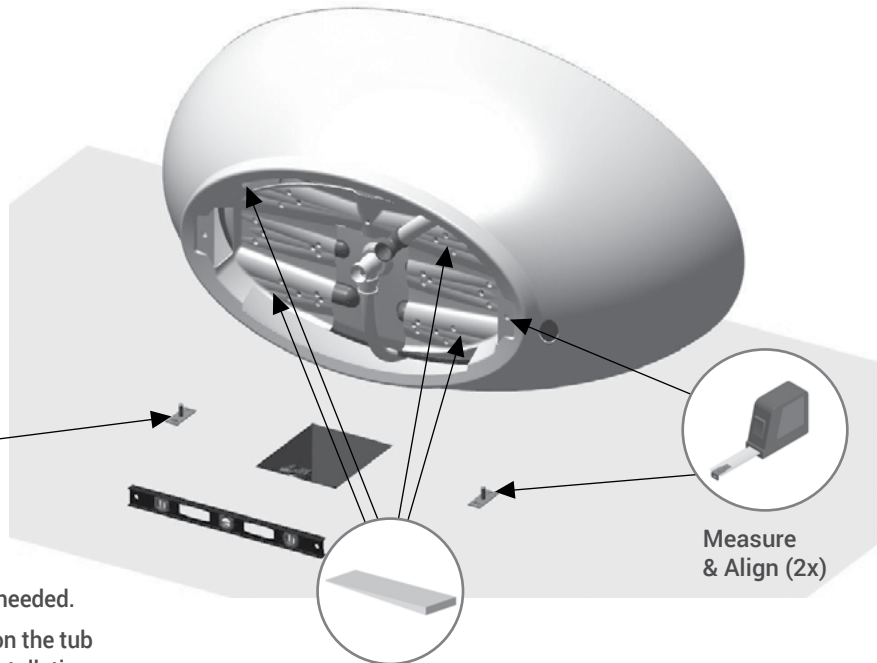
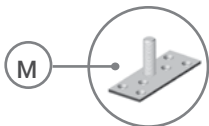
## 4 BATH INSTALLATION - OPALIA 6839



### HELPFUL TIPS:

- Carefully place the tub on its side, on a blanket or a corrugated cardboard.
- To easily manipulate the bathtub in a safe way during installation, we recommend using moving straps.

Floor anchor

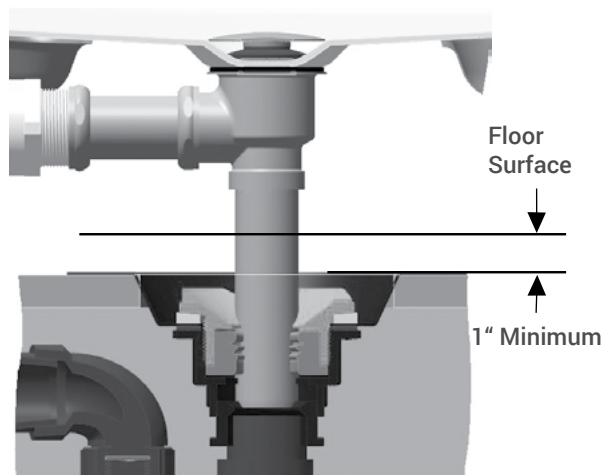


Measure & Align (2x)



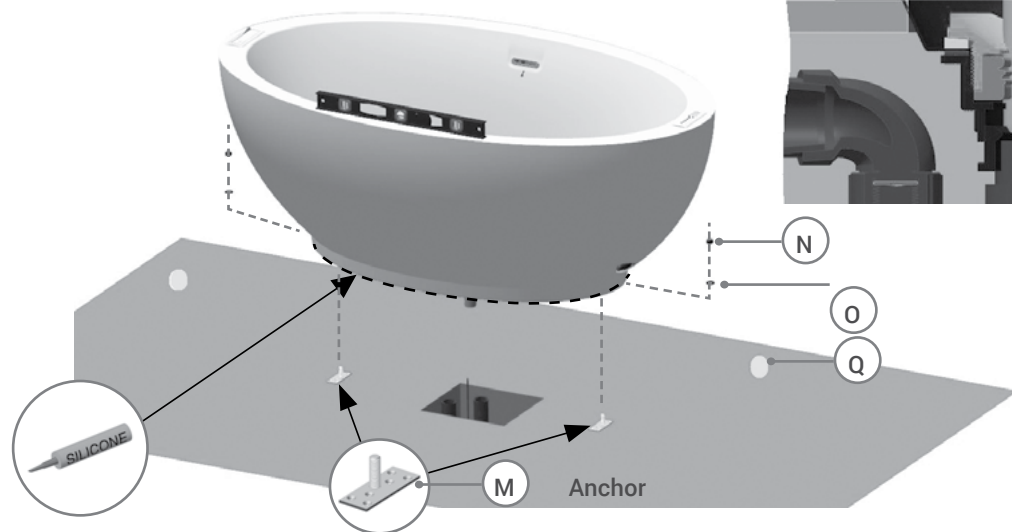
### WARNING

- Be sure the floor is leveled. Use shims as needed.
- Do not remove the protective plastic film on the tub and place a drop-cloth in the tub during installation to protect the acrylic.
- Apply a bead of silicone around the perimeter of the bath once on the floor.
- The tub must be securely anchored to floor.
- Connect the drain.
- Fix bath to floor by using washers «O» and nuts «N».
- Install the bath on anchors «M» previously screwed to floor. Remove exceeding silicone.
- Place cover seals «Q» over openings.



Floor Surface

1" Minimum



Anchor

# REMOTE MOUNTING OF TURBINE WITH ACCESS UNDER BATH

## 5 ELECTRONIC CONTROL INSTALLATION – MIAPLUS®

**LOCATION:** Determine the most convenient location, on the wall close to tub. Peel off the protective film of sticker behind the control. You can add a silicone bead to secure to the wall.

### WARNING

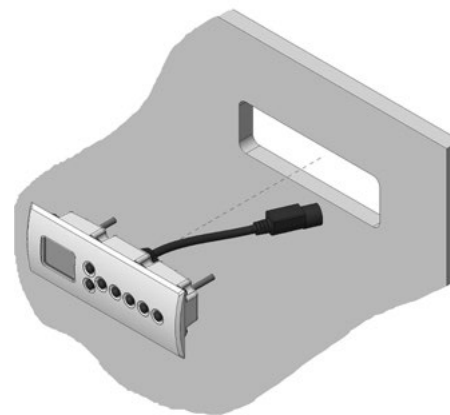
- Baths from Opalia® collection cannot be drilled for faucet installation. Faucets must be freestanding or wall-mounted models.
- **DRILLING OF WALL:** Refer to the Cutting Template on page 23 for the location and diameter of the holes.

### TOOLS REQUIRED

- Jig saw with fine cut blade
- Drill
- 1/4 in. drill bit

### TOUCH PAD INSTALLATION

- Push wiring through drilled holes.
- Remove protective film from watertight seal.
- Secure to the wall with permanent waterproof sealant (mold-free clear silicone for bathrooms).
- Secure temporarily with a tape for about 24 h.



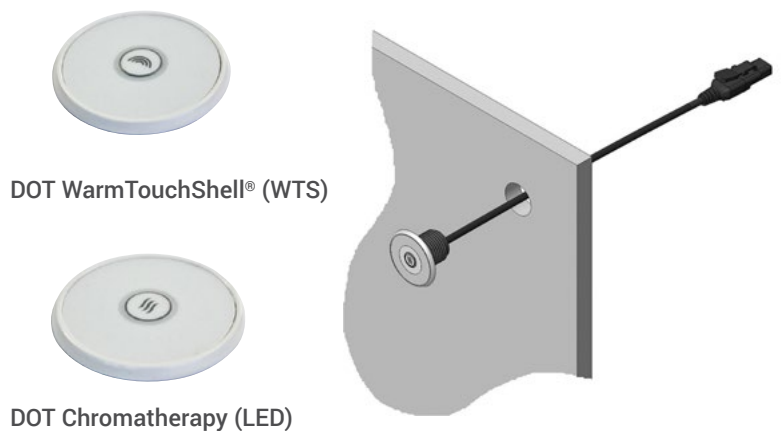
## 5 ELECTRONIC CONTROL INSTALLATION – DOT

### TOOLS REQUIRED

- 7/8 in. Hole saw
- Drill

### TOUCH PAD INSTALLATION

- Push wiring through drilled holes.
- Remove protective film from watertight seal.
- Secure to the wall with permanent waterproof sealant (mold-free clear silicone for bathrooms).
- Secure temporarily with a tape for about 24 h.

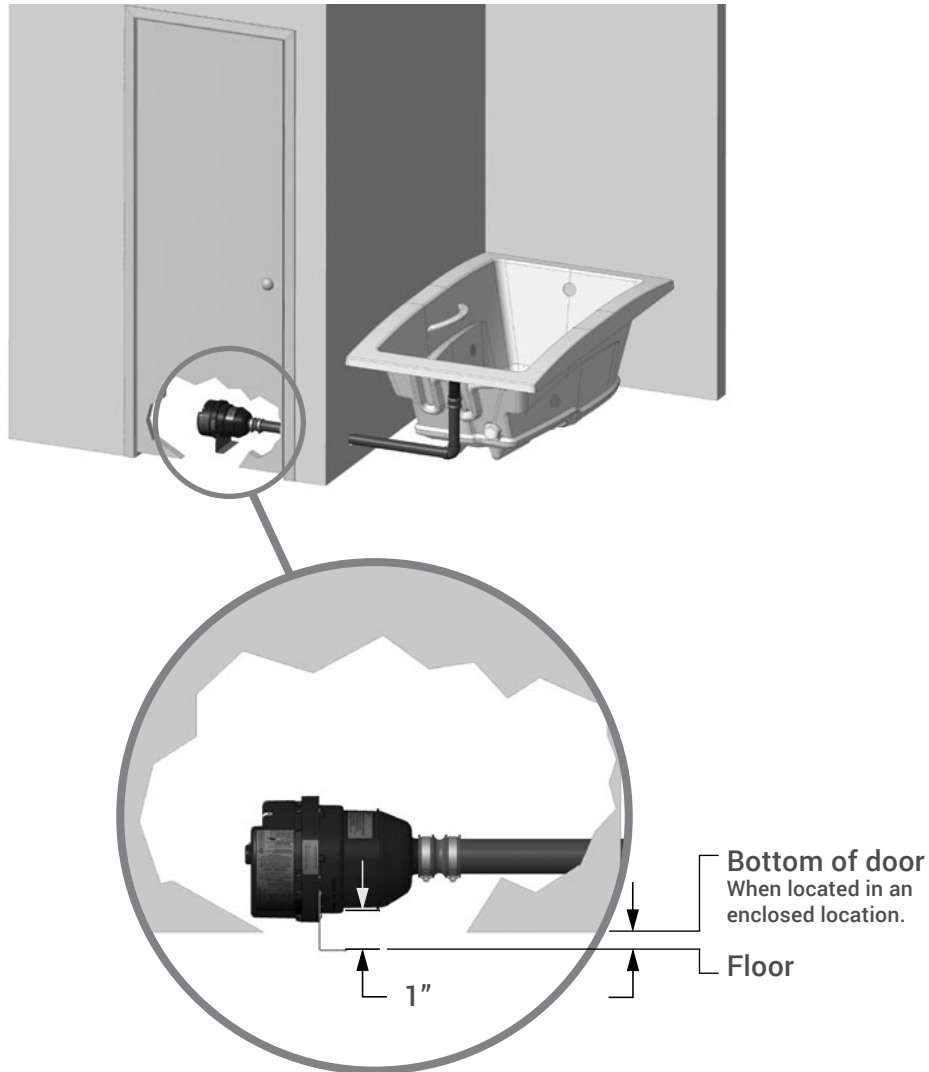


### WARNING

- If the control is not factory installed, you will find it attached to the turbine, or to the electronic control modules.

## REMOTE MOUNTING OF TURBINE WITH ACCESS UNDER BATH

### 6 REMOTE MOUNTING OF TURBINE

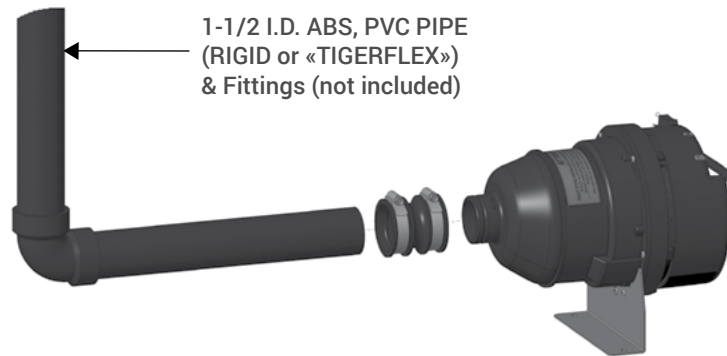


#### WARNING

- Choose a location for the turbine with the shortest possible distance from the Thermomasseur® bath, no more than 15 ft. (4,6m), and a maximum of six elbow directional changes to ensure system performance. It can be under the floor, in a closet or any other place that can hide the turbine and if needed optional modules. Easy access must remain possible at all time and sufficient air ventilation is necessary for turbine.
- A service access is necessary. Minimum dimensions are 22 in. x 18 in. (55 cm x 46 cm) to properly reach all electrical components of the system.
- An air vent is necessary. Minimum dimensions are: 2 in. x 4 in. (5 cm x 10 cm) to ensure proper functioning of the turbine.
- Geysair® cannot be remotely installed.

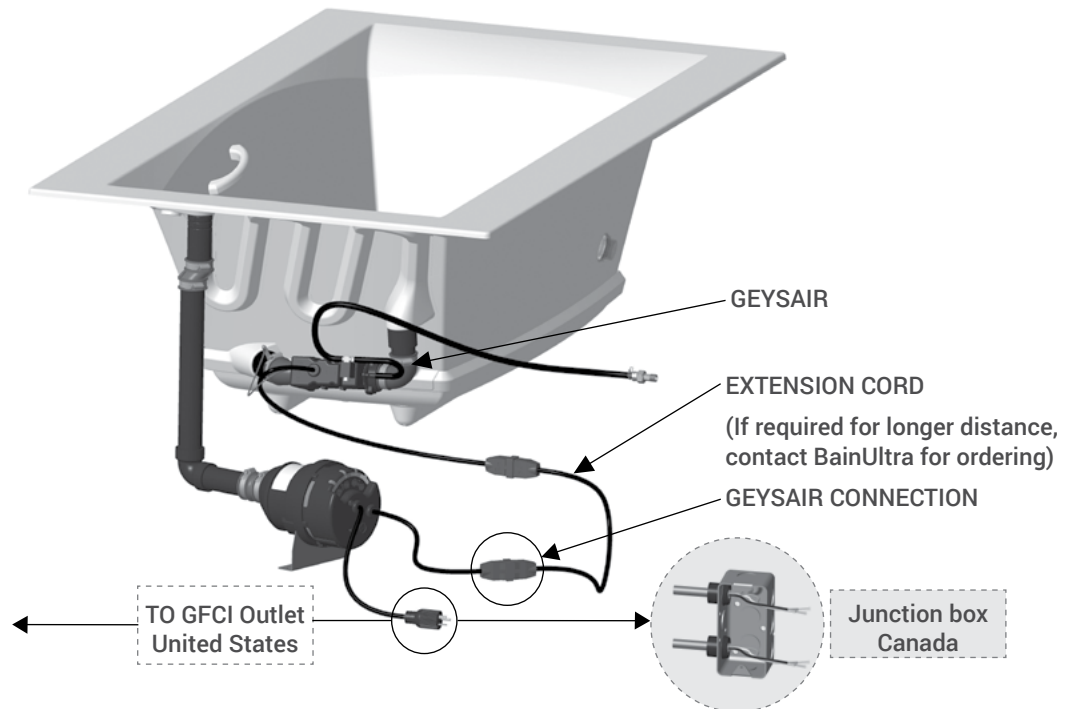
## REMOTE MOUNTING OF TURBINE WITH ACCESS UNDER BATH

### 7 REMOTE MOUNTING OF TURBINE - AIR PIPE (THERMOMASSEUR®)




### 7 REMOTE MOUNTING OF TURBINE - ELECTRICAL CONNECTIONS (THERMOMASSEUR®)

• See page 16 for electrical diagram



#### **!** WARNING

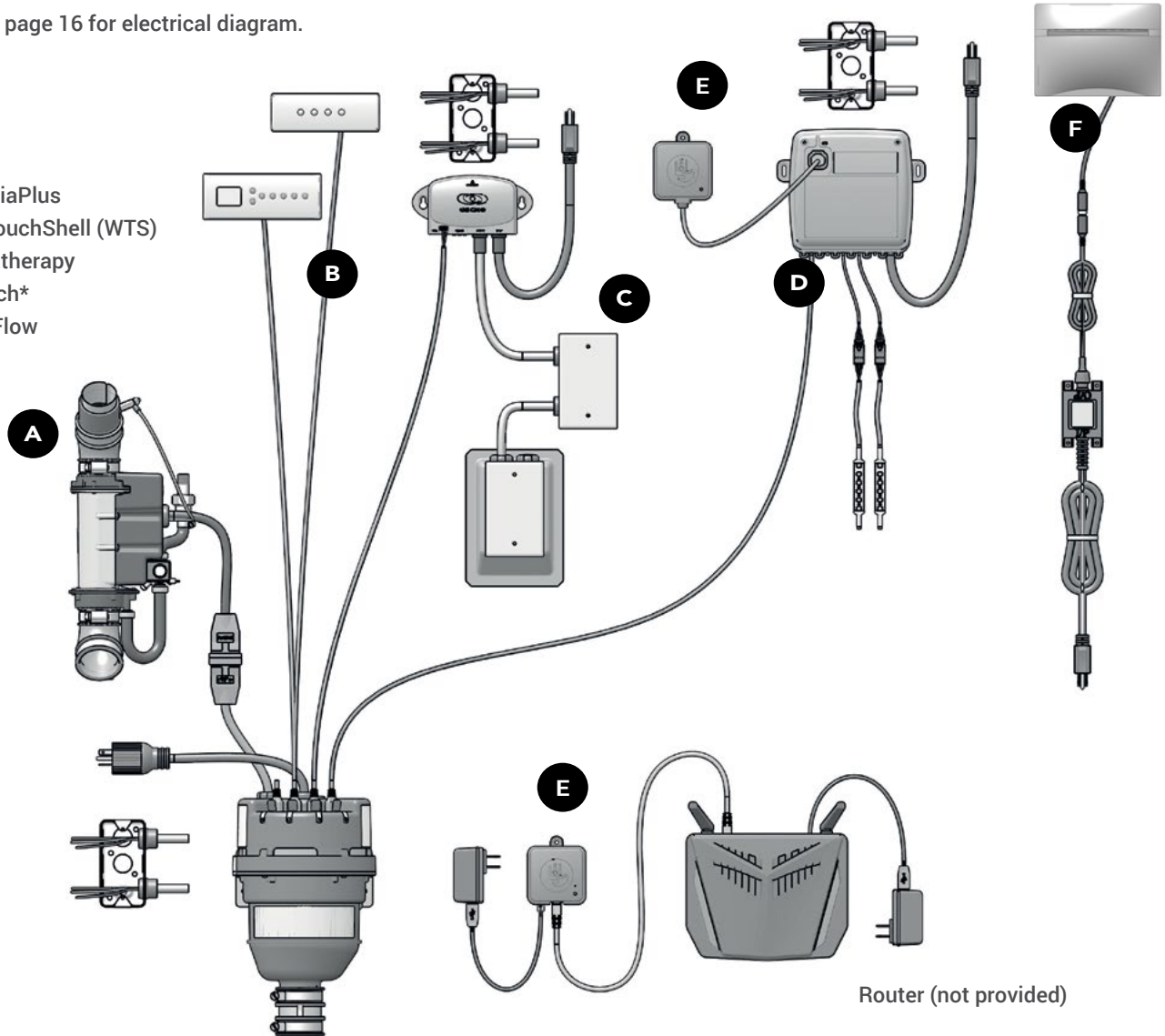
- For Geysair® equipped baths using remote turbine installation (not mounted on the bath), grounding continuity must be tested between the bath grounding terminal  and the bath power supply. Failure to perform the grounding continuity test could result in serious personal injury.

# REMOTE MOUNTING OF TURBINE WITH ACCESS UNDER BATH

## 8 REMOTE MOUNTING OF TURBINE – ELECTRICAL CONNECTIONS OF OPTIONAL THERAPIES

• See page 16 for electrical diagram.

- A: Geysair
- B: Mia / MiaPlus
- C: WarmTouchShell (WTS)
- D: Chromatherapy
- E: BU-Touch\*
- F: AromaFlow



**NOTE:**



**WARNING**

- Connections may differ depending on the bath model and options.
- Electrical outlet must be installed by a certified electrician. Installation must be conducted in accordance with all local, provincial/state, and federal building/electrical codes and regulations.
- Connect electrical power supply only after all low voltage wiring is properly installed on turbine.
- If you did not follow this last step, shut off and then restart your home's circuit breaker. Turbine and air pipe should be clear of building materials and wiring.

\* BU-Touch is a virtual control application that activates all the options of the ThermoMasseur Air jets bath from your mobile device. Please refer to BU-TOUCH Quick Start Guide: [www.bainultra.com/butouch-guide](http://www.bainultra.com/butouch-guide)

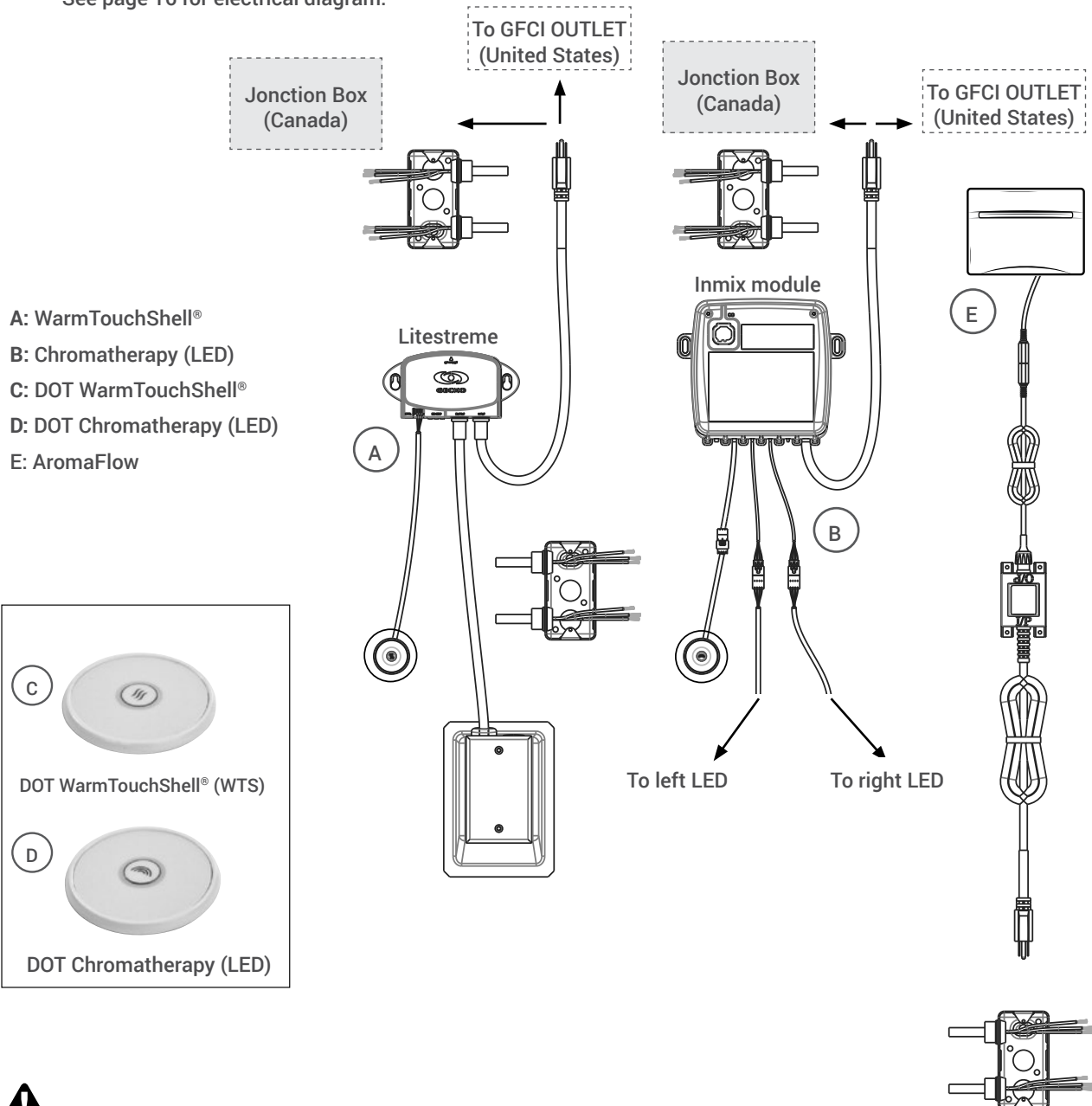




# REMOTE MOUNTING OF TURBINE WITH ACCESS UNDER BATH

## 8 REMOTE MOUNTING OF OPTIONAL THERAPIES (TUB ONLY) – ELECTRICAL CONNECTIONS

• See page 16 for electrical diagram.



**WARNING**

- Electrical outlet must be installed by a certified electrician. Installation must be conducted in accordance with all local, provincial/state, and federal building/electrical codes and regulations.
- Connect electrical power supply only after all low voltage wiring is properly installed. If you did not follow this last step, shut off and then restart your home's circuit breaker.

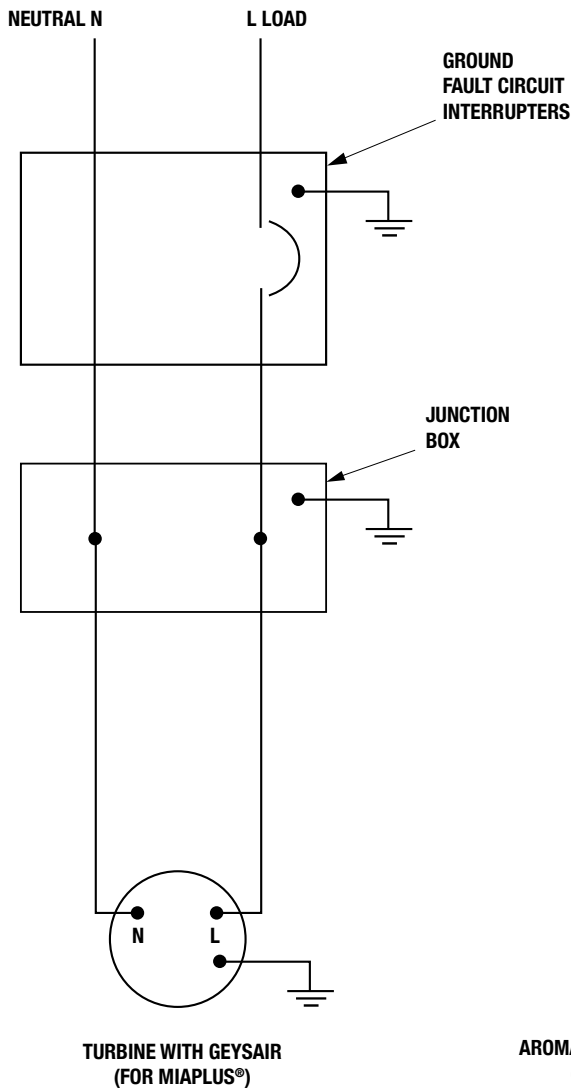
**NOTE:**

Connections may differ depending on the bath model and options.

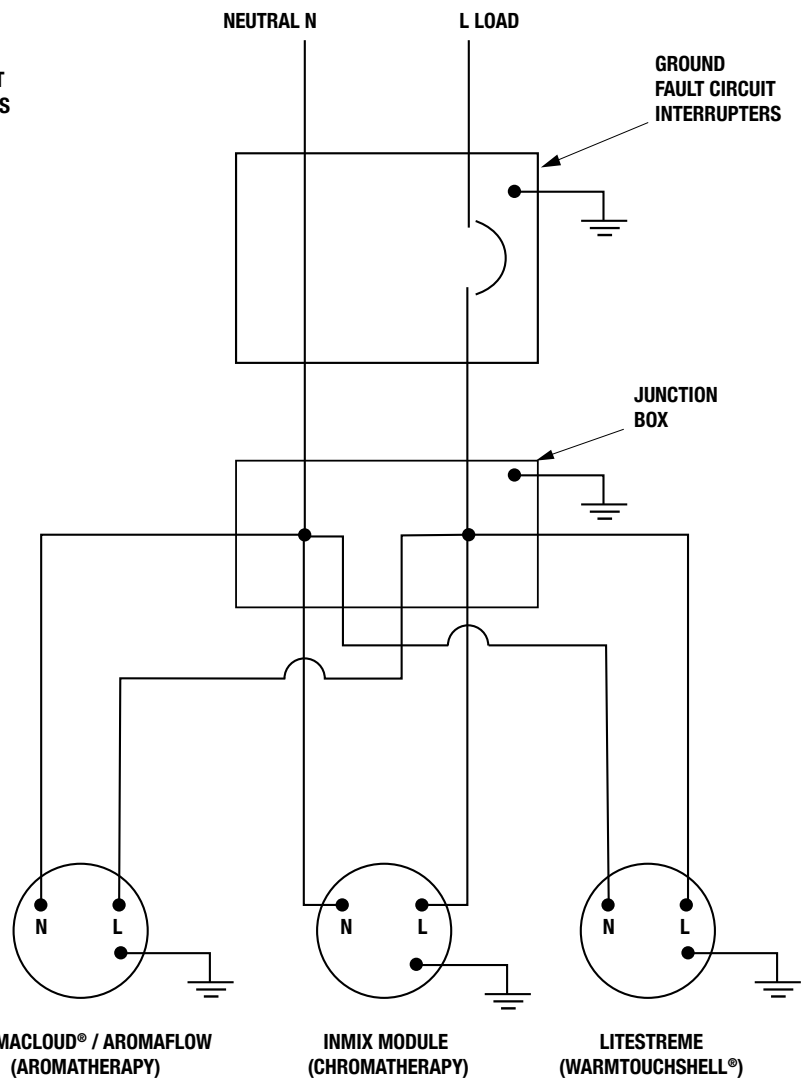
# ELECTRICAL SECTION

## 3 ELECTRICAL DIAGRAM – 20A THERMOMASSEUR® and 15A THERAPY

### 20A CIRCUIT



### 15A CIRCUIT



# REMOTE MOUNTING OF TURBINE WITHOUT ACCESS UNDER BATH

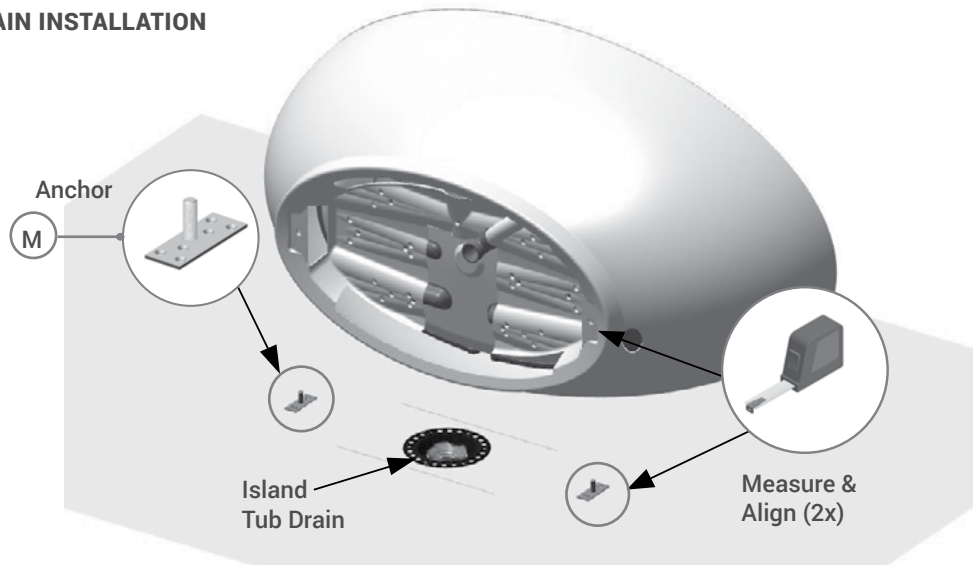
## 1 PLUMBING - ISLAND TUB DRAIN INSTALLATION

**HELPFUL TIP:**

- Carefully place the tub on its side, on a blanket or a corrugated cardboard.

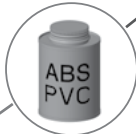
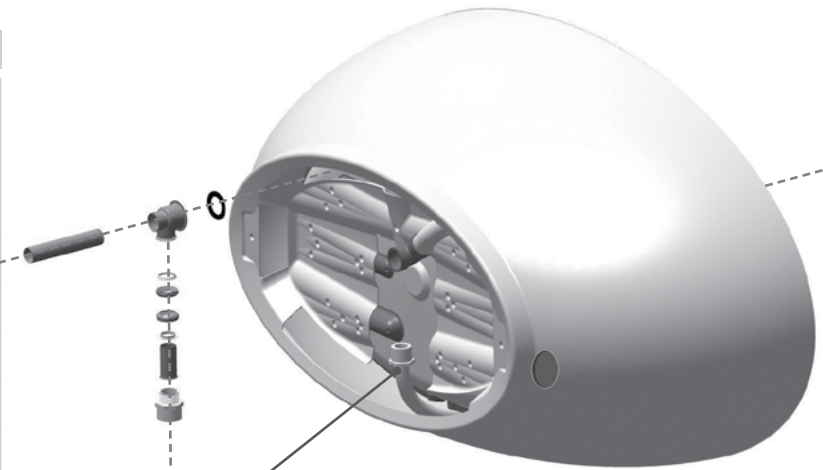
**WARNING**

- Refer to supplied instructions for Island Tub Drain installation.

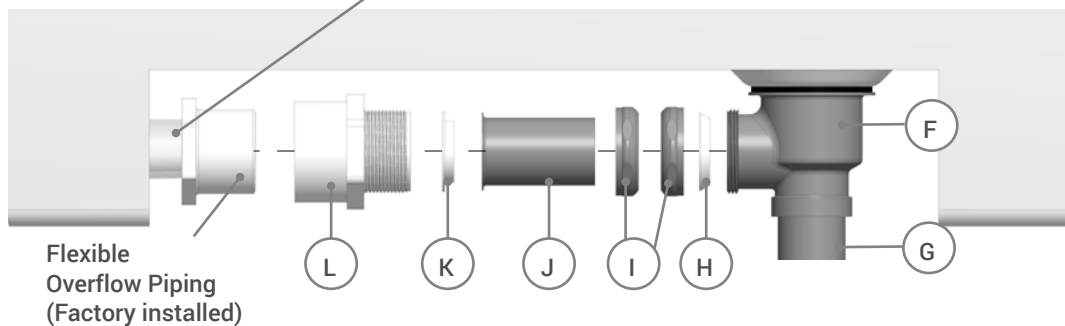


### OPTIONAL PARTS - PLUMBING<sup>(1)</sup>

	DESCRIPTION	QTY
F	Tee Brass drain shoe	1
G	6 in. brass tailpiece	1
H	Nylon conic shaped seal for drain	1
I	Brass nut	1
J	Nylon flat seal with flange	1
K	Nylon flat seal with flange	1
L	1-1/2" male threaded adaptor	1



**NOTE:** If necessary, cut the overflow pipe to the desired length, and glue it to the PVC connector and to the drain.



# REMOTE MOUNTING OF TURBINE WITHOUT ACCESS UNDER BATH

## 2 TURBINE & GEYSAIR INSTALLATION (FOR THERMOMASSEUR®) PASSAGE FOR THE ELECTRICAL WIRING OF OPTIONAL THERAPIES

### ⚠ WARNING

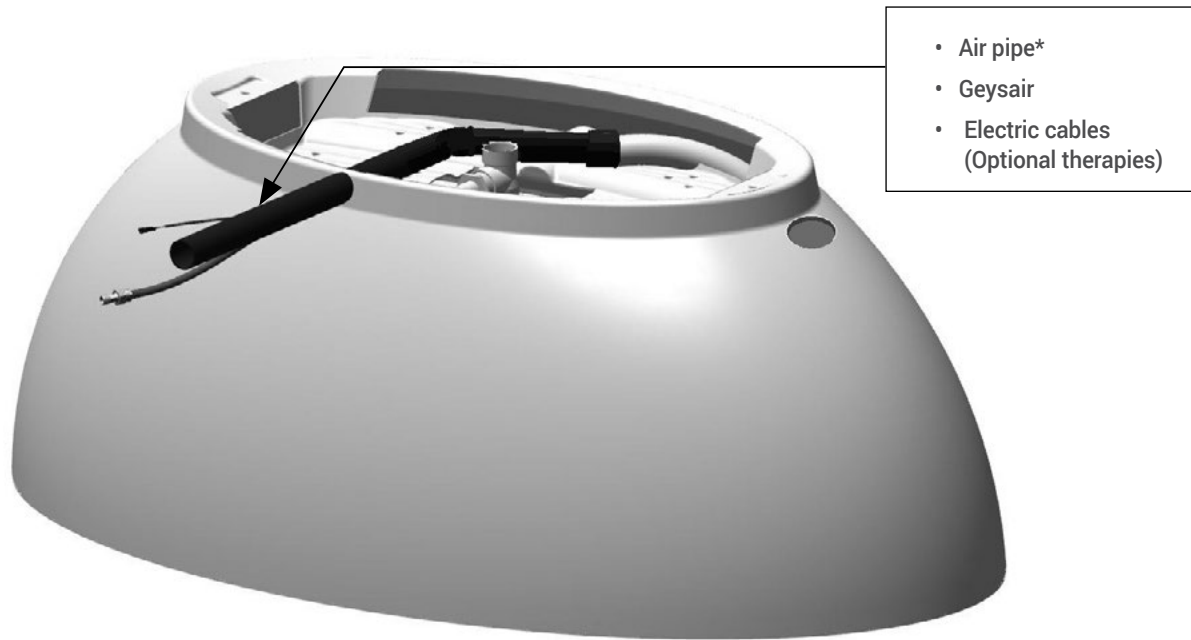
IF THE AIR PIPING CONNECTIONS AND POWER SUPPLY OF THERAPEUTIC OPTIONS HAVE TO BE AT FLOOR LEVEL, YOU MUST MAKE AN OPENING ON ONE SIDE OF THE BATH, AS CLOSE AS POSSIBLE TO TURBINE AND CONTROLS.

- Do not drill through the interior shell.
- The size of the opening must be large enough to allow wires and pipes to go through.

TOOLS REQUIRED
Drill
1/4 in. drill bit
Jig saw with fine cut blade



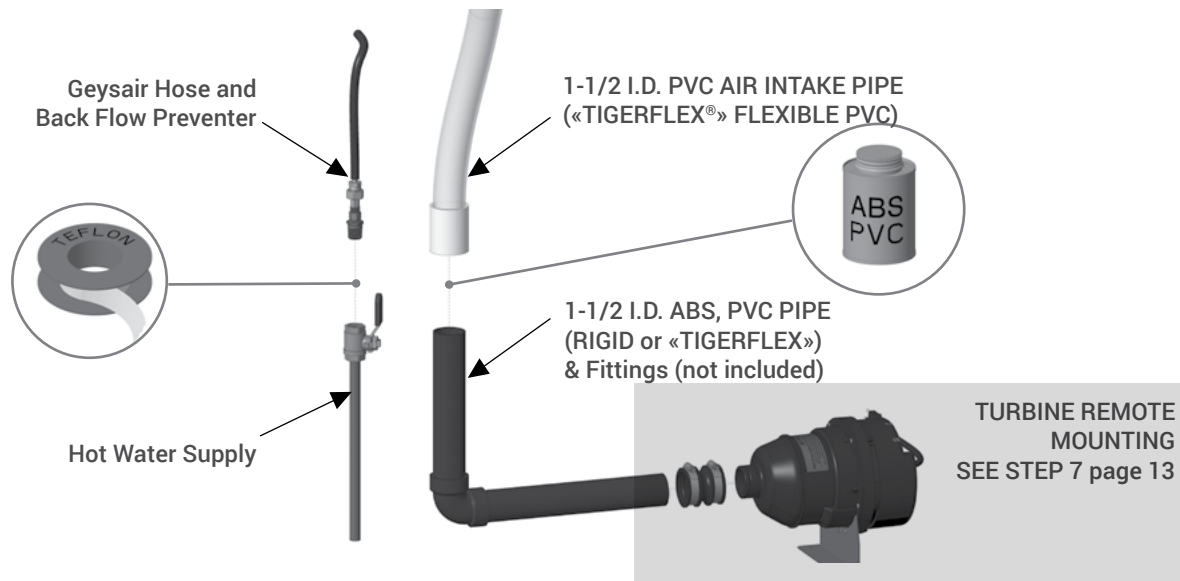
OPALIA 6839



(\*): Location of air pipe can differ from drawing.

## REMOTE MOUNTING OF TURBINE WITHOUT ACCESS UNDER BATH

### 2 TURBINE & GEYSAIR INSTALLATION (FOR THERMOMASSEUR®)



#### ! WARNING

- Access to Geysair® backflow preventer is necessary for cleaning of the filter.
- Baths from Opalia® collection cannot be drilled for faucet installation. Faucets must be freestanding or wall-mounted models.
- Geysair component cannot be remote mounted. It must stay at original position, attached to bath. Must never be unplugged.

### 3 ELECTRICAL WIRING OF OPTIONAL COMPONENTS

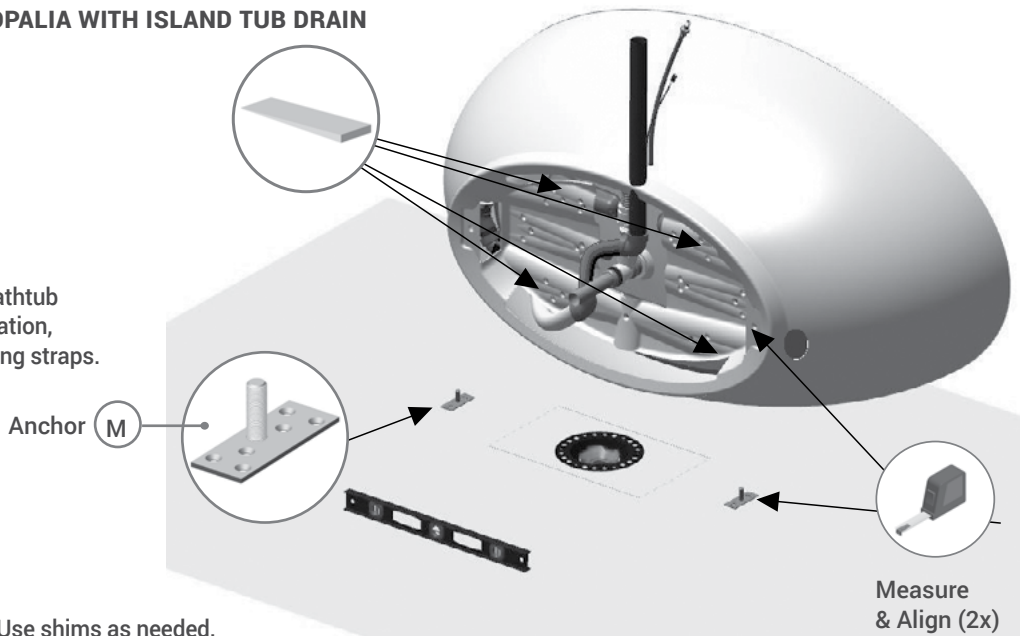
REMOTE MOUNTING  
of CONTROL MODULES  
SEE STEP 8 page 14

# REMOTE MOUNTING OF TURBINE WITHOUT ACCESS UNDER BATH

## 4 BATH INSTALLATION – OPALIA WITH ISLAND TUB DRAIN

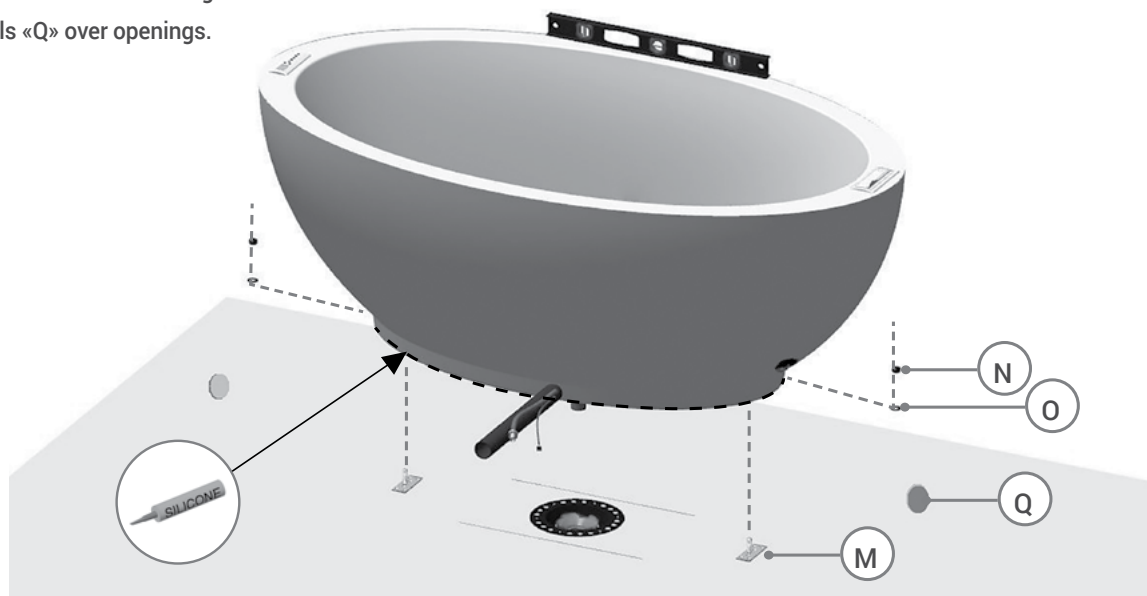
**HELPFUL TIPS:**

- Carefully place the tub on its side, on a blanket or a corrugated cardboard.
- To easily manipulate the bathtub in a safe way during installation, we recommend using moving straps.



**WARNING**

- Be sure the floor is leveled. Use shims as needed.
- Do not remove the protective plastic film on the tub and place a drop-cloth in the tub during installation to protect the acrylic.
- Apply a bead of silicone around the perimeter of the bath once on the floor.
- Connect the drain.
- Install bath on anchors «M» previously screwed to the floor. Remove exceeding silicone.
- Connect the drain.
- Fix bath to floor by using washers «O» and nuts «N».
- Install the bath on anchors «M» previously screwed to floor. Remove exceeding silicone.
- Place cover seals «Q» over openings.

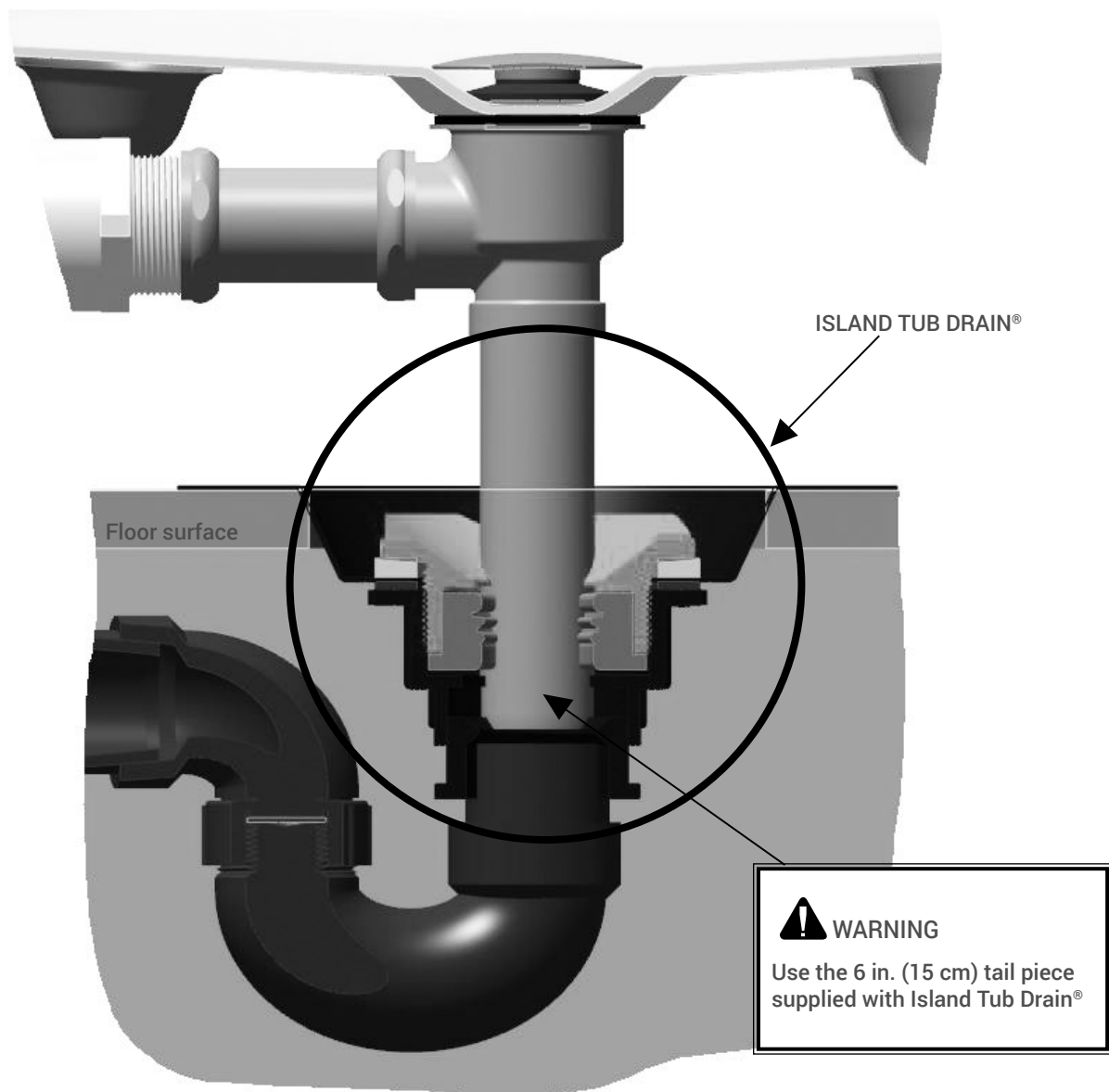


REMOTE MOUNTING OF TURBINE WITHOUT ACCESS UNDER BATH

4 BATH INSTALLATION  
DRAIN CONNECTION WITH ISLAND TUB DRAIN® (ITD) - INFORMATION

**⚠ WARNING**

- Refer to supplied instructions for ISLAND TUB DRAIN® installation.



# REMOTE MOUNTING OF TURBINE WITHOUT ACCESS UNDER BATH

FOR THE NEXT STEPS, SEE SECTION : REMOTE MOUNTING OF TURBINE WITH ACCESS UNDER THE BATH

- 5** ELECTRONIC CONTROL INSTALLATION – MIAPLUS® ..... 11
- 5** ELECTRONIC CONTROL INSTALLATION – DOT (THERAPIES)..... 11
- 6** REMOTE MOUNTING OF TURBINE ..... 12
- 7** REMOTE MOUNTING OF TURBINE – AIR PIPE (THERMOMASSEUR®)..... 13
- 7** REMOTE MOUNTING OF TURBINE – ELECTRICAL CONNECTIONS (THERMOMASSEUR®)..... 13
- 8** REMOTE MOUNTING OF TURBINE – ELECTRICAL CONNECTIONS OF OPTIONAL THERAPIES ..... 14
- 8** REMOTE MOUNTING OF OPTIONAL THERAPIES – ELECTRICAL CONNECTIONS ..... 15
- ELECTRICAL DIAGRAM - THERMOMASSEUR & THERAPIES ..... 16



# CUTTING TEMPLATE OF ELECTRONIC CONTROLS

WALL INSTALLATION

